



PARTS BREAKDOWN

2" TRASH PUMP

MODEL: PA-WPT2



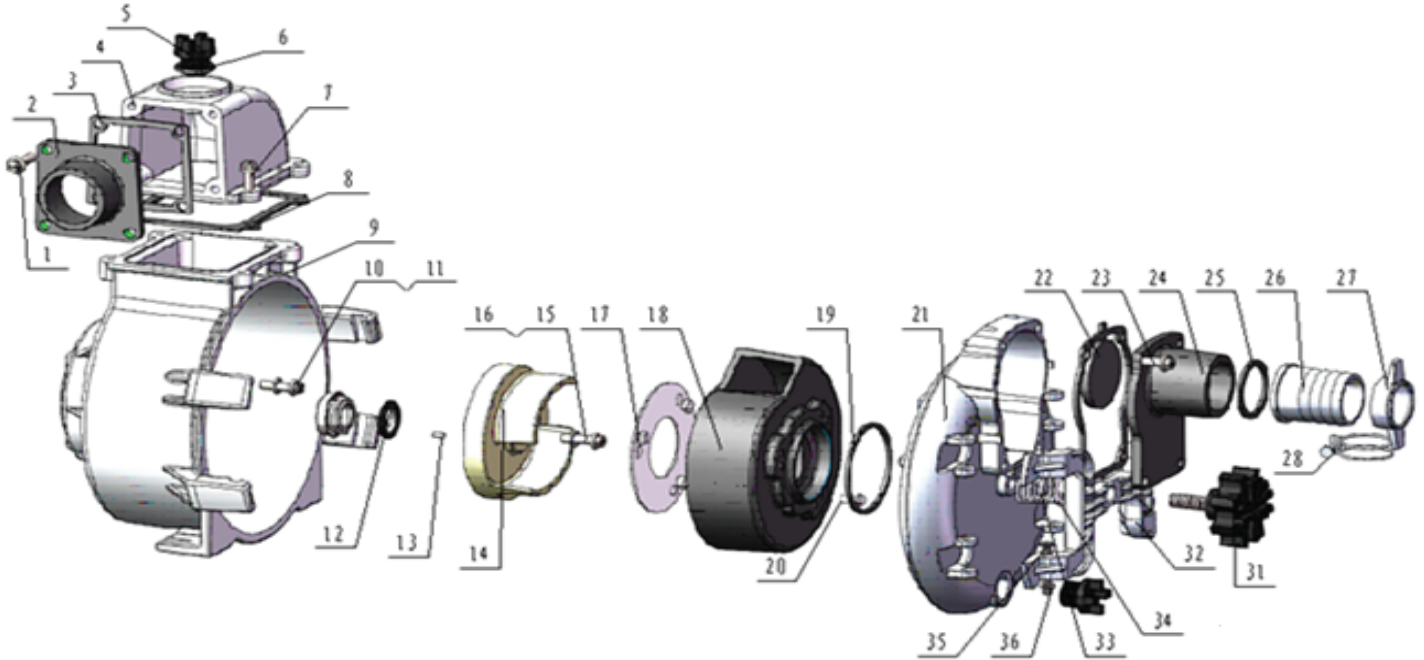


PARTS BREAKDOWN

2" TRASH PUMP

MODEL: PA-WPT2

PUMP ASSEMBLY



| REF # | DESCRIPTION | QTY | PART # |
|---------------|--------------------------|-----|----------------|
| 1-4,7-8,22-24 | Inlet/Outlet Kit | 1 | PA-P90155001BE |
| 3,8,12,19,25 | Seal Kit | 1 | PA-P90155002BE |
| 5-6,33-34 | Plugs and O-ring | 2 | PA-P90155003BE |
| 9 | Pump Body | 1 | PA-P90155004BE |
| 14 | Impeller | 1 | PA-P90155005BE |
| 17-19 | Whorl Case Kit | 1 | PA-P90155006BE |
| 21 | Pump Casing | 1 | PA-P90155007BE |
| 25-28 | Wire Lock Clamp Kit | 1 | PA-P90155008BE |
| 32 | Pump Casing Spring Plate | 2 | PA-P90155009BE |
| 31,33-36 | Spring Plate Hardware | 1 | PA-P90155010BE |
| 1 | M8*20 | 4 | PA-P90155011BE |
| 7 | M8*20 | 4 | |
| 23 | M8*20 | 4 | |
| 15 | M8*25 Engine Mount Bolts | 1 | |
| 16 | Washer | 1 | |
| 20 | M6*16 Bolts | 6 | |
| 27 | Nut | 2 | |
| 10 | M8*30 Engine Mount Bolts | 4 | |
| 11 | Washer | 4 | |
| 13 | 4.78*4.8*12 Key | 1 | |

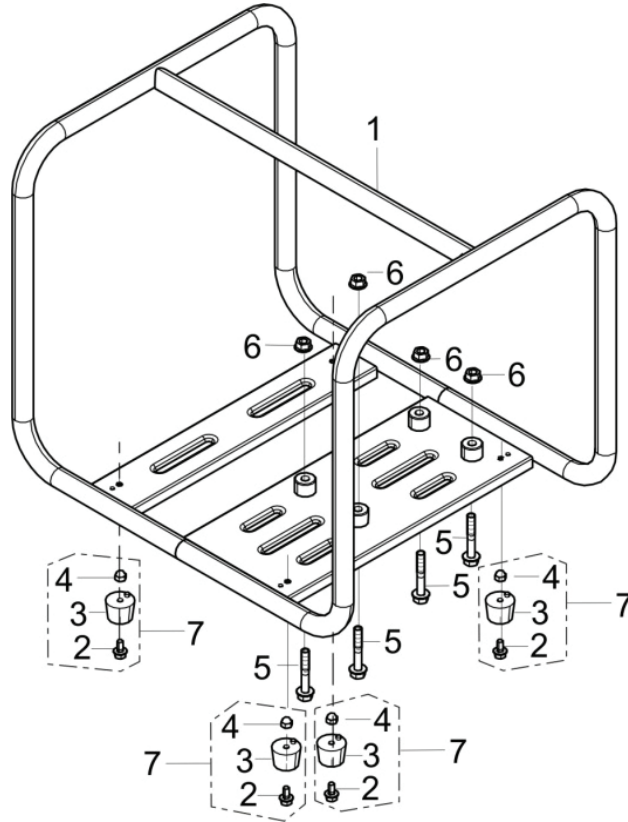


PARTS BREAKDOWN

2" TRASH PUMP

MODEL: PA-WPT2

FRAME ASSEMBLY



| REF # | DESCRIPTION | QTY | PART # |
|-------|------------------------------------|-----|--------------|
| 2 | Bolt | 4 | PA-P50002205 |
| 3 | Engine Frame Shock Absorption Seat | 4 | |
| 4 | Acorn Nut | 4 | |

***CHECK WITH HONDA FOR ENGINE BREAKDOWN AND PARTS**

patron[®]

